

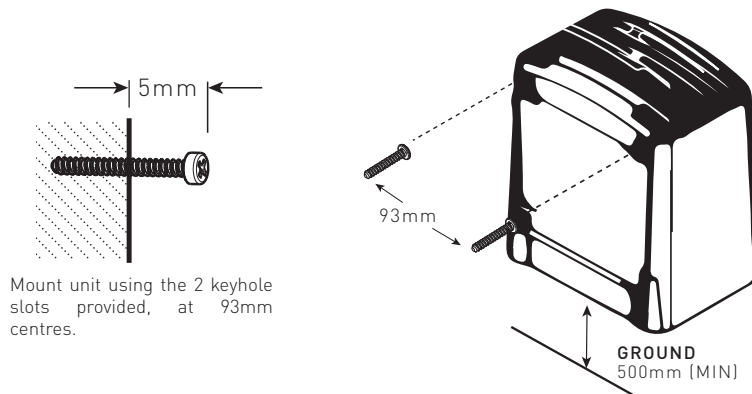
### BEFORE YOU START

- The RM-2 2x Channel Remote Control system is designed to operate with Spa Electrics underwater lights as well as auxiliary products such as: garden & feature lights, pumps and associated outdoor equipment
- For Retro-fit installations, where existing transformers have been hardwired; a suitably qualified electrician must disconnect the transformers and terminate with a plug top connection. OR the transformers are to be replaced with the Spa Electrics LV25-12 or LV50-12 models.

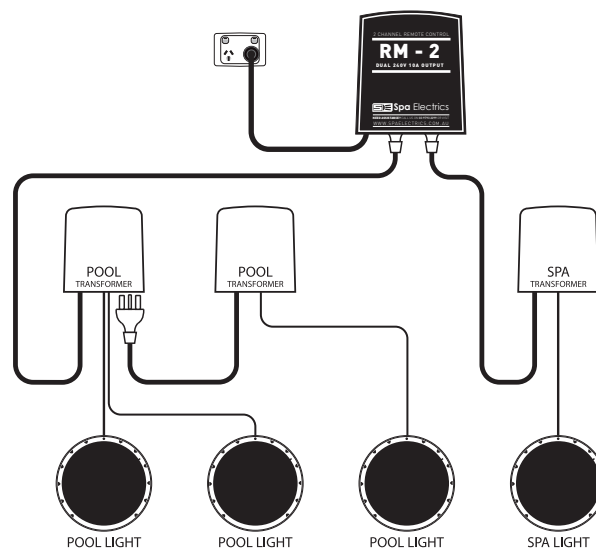
### INSTALLATION

- Mount receiver in a suitable location, adjacent to the pool lighting transformers.  
(Minimum elevation above ground is 500mm)
- Plug receiver into the mains supply
- Plug pool light transformer into outlet marked 'POOL'
- Plug spa light transformer into outlet marked 'SPA'

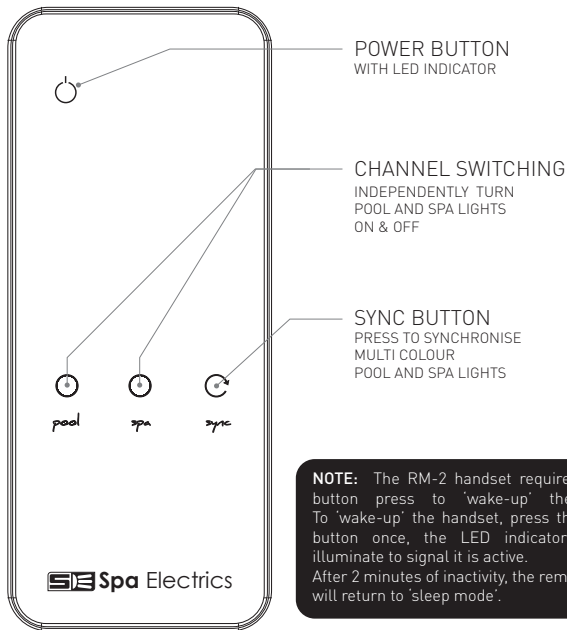
Note: For systems with 2 or more pool lights, use the LV50-12 transformer and utilise the piggyback feature on the LV50-12 to ensure all transformers are switched together.



### WIRING GUIDE



### HANDSET OPERATION



REMOTE CONTROL

**NOTE:** The RM-2 handset requires an initial button press to 'wake-up' the handset. To 'wake-up' the handset, press the power button once, the LED indicator light will illuminate to signal it is active. After 2 minutes of inactivity, the remote handset will return to 'sleep mode'.

### HANDSET PAIRING

Your Remote handset should come pre-assigned to your receiver. However if it is not paired or you would like to program a second handset, please follow the below instructions:

#### STEP 1

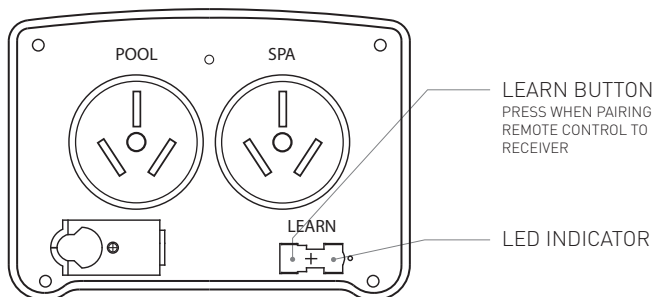
Press the 'LEARN' button on the base of the receiver. The receiver will now switch to learning mode, indicated by the red LED located next to the 'LEARN' button.

#### STEP 2

Within 7 seconds press any of the buttons on the Remote Handset. The remote handset is now assigned to the receiver.

#### MEMORY RESET

To reset the receiver memory, press and hold the 'LEARN' button continuously; The LED indicator will flash fast initially then flash slow indicating the memory has been erased. Once erased, release the 'LEARN' Button and complete steps 1 & 2 to program the handsets.



RECEIVER BASE

### TECHNICAL SPECIFICATION

#### RECEIVER RATING

Output: 2 X 240VAC ~ 50Hz switched  
Max. Load: 2400W MAX. TOTAL

#### REMOTE

Battery: 2 x 'AAA'  
Range: Up to 50m - line of sight  
Freq: 800MHz

### TROUBLE SHOOTING

CONDITION	CORRECTIVE ACTION
Flashing power indicator on handset	Low Battery - Replace 2 x AAA Batteries in handset
Intermittent communication between handset and the Receiver	- Reset receiver memory - Pair handset to receiver (see "handset pairing" for details)

FOR ASSISTANCE PLEASE  
CONTACT SPA ELECTRICS

ph: +61 3 9793 2299  
info@spaelectrics.com.au  
www.spaelectrics.com.au

