

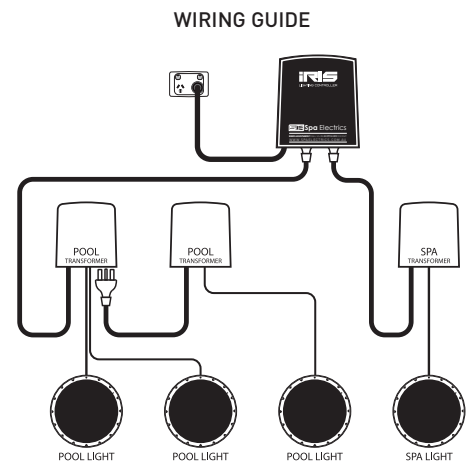
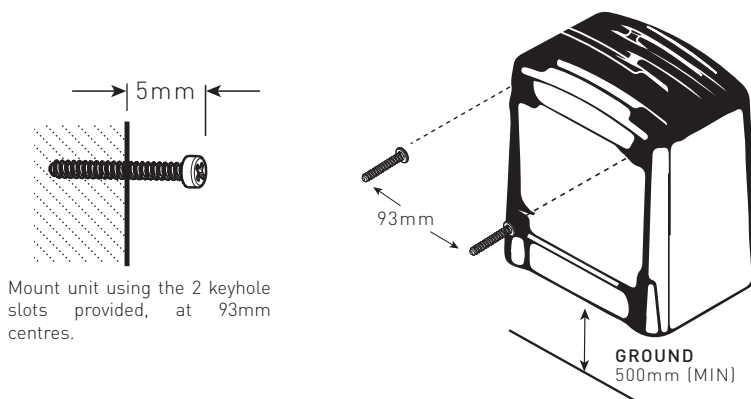
## BEFORE YOU START

- The iRIS lighting system is designed to be used with the Spa Electrics **MULTI PLUS** model lights. (Please check product labeling to ensure it is suitable)
- For Retro-fit installations, where existing transformers have been hardwired; a suitably qualified electrician must disconnect the transformers and terminate with a plug top connection. OR the transformers are to be replaced with the Spa Electrics LV25-12 or LV50-12 models.

## INSTALLATION

- Ensure that the unit is installed at least 3.5 metres away from the pool and/or spa and at a minimum of 500mm above ground level
- Plug receiver into the mains supply
- Plug pool light transformer into outlet marked 'POOL'
- Plug spa light transformer into outlet marked 'SPA'

Note: For systems with 2 or more pool lights, use the LV50-12 transformer and utilise the piggyback feature on the LV50-12 to ensure all transformers are switched together.



## MULTI PLUS QUICK SETUP

The iRIS lighting controller has a QUICK SETUP feature to program the MULTI PLUS lights for iRIS operation.

### STEP 1

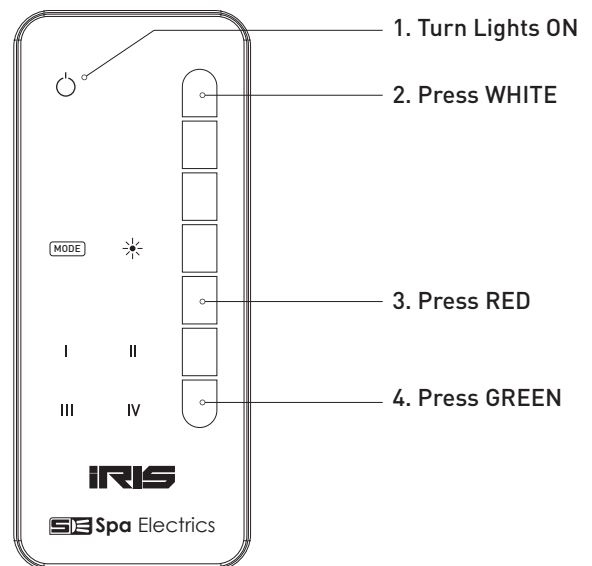
Ensure the lights have been **OFF** for a minimum of **30 seconds**, then turn the system **ON** using the iRIS handset.

### STEP 2

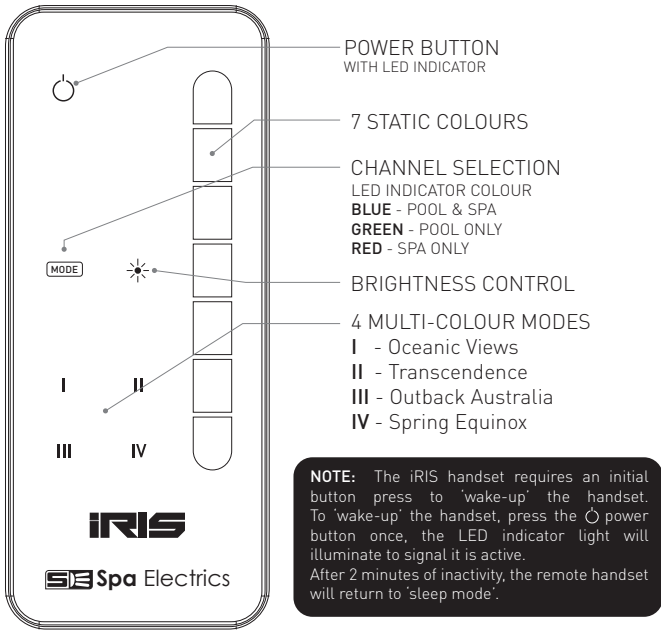
Press the following static colours in order with a **1 second** pause between each press.

1. WHITE
2. RED
3. GREEN

If performed correctly, the lights will illuminate **GREEN**. Confirm correct operation by selecting a different colour using the iRIS handset.



# HANDSET OPERATION



## HANDSET PAIRING

Your Remote handset should come pre-assigned to your receiver. However if it is not paired or you would like to program a second handset, please follow the below instructions:

### STEP 1

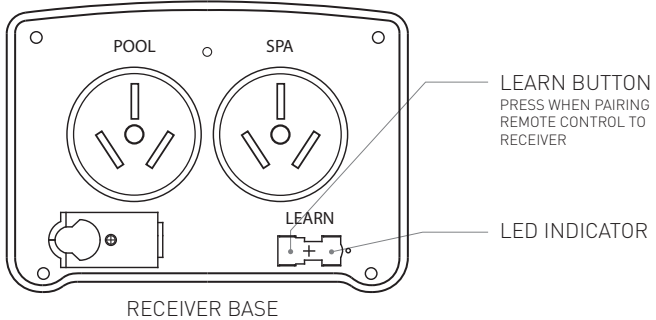
Press the 'LEARN' button on the base of the receiver. The receiver will now switch to learning mode, indicated by the red LED located next to the 'LEARN' button.

### STEP 2

Within 7 seconds press any of the buttons on the Remote Handset. The remote handset is now assigned to the receiver.

### MEMORY RESET

To reset the receiver memory, press and hold the 'LEARN' button continuously; The LED indicator will flash fast initially then flash slow indicating the memory has been erased. Once erased, release the 'LEARN' Button and complete steps 1 & 2 to program the handsets.



# TECHNICAL SPECIFICATION

## RECEIVER RATING

Input: 230-240VAC ~ 50Hz  
Output: 2 X 240VAC ~ 50Hz switched  
Max. Load: 2400W MAX. TOTAL

## REMOTE

Battery: 2 x 'AAA'  
Range: Up to 50m - line of sight  
Freq: 915MHz ISM Band

# TROUBLE SHOOTING

CONDITION	CORRECTIVE ACTION
Flashing power indicator on handset	Low Battery - Replace 2 x AAA Batteries in handset
Intermittent communication between handset and the Receiver	- Reset receiver memory - Pair handset to receiver (see "handset pairing" for details)

FOR ASSISTANCE PLEASE CONTACT SPA ELECTRICS

ph: +61 3 9793 2299  
info@spaelectrics.com.au  
www.spaelectrics.com.au